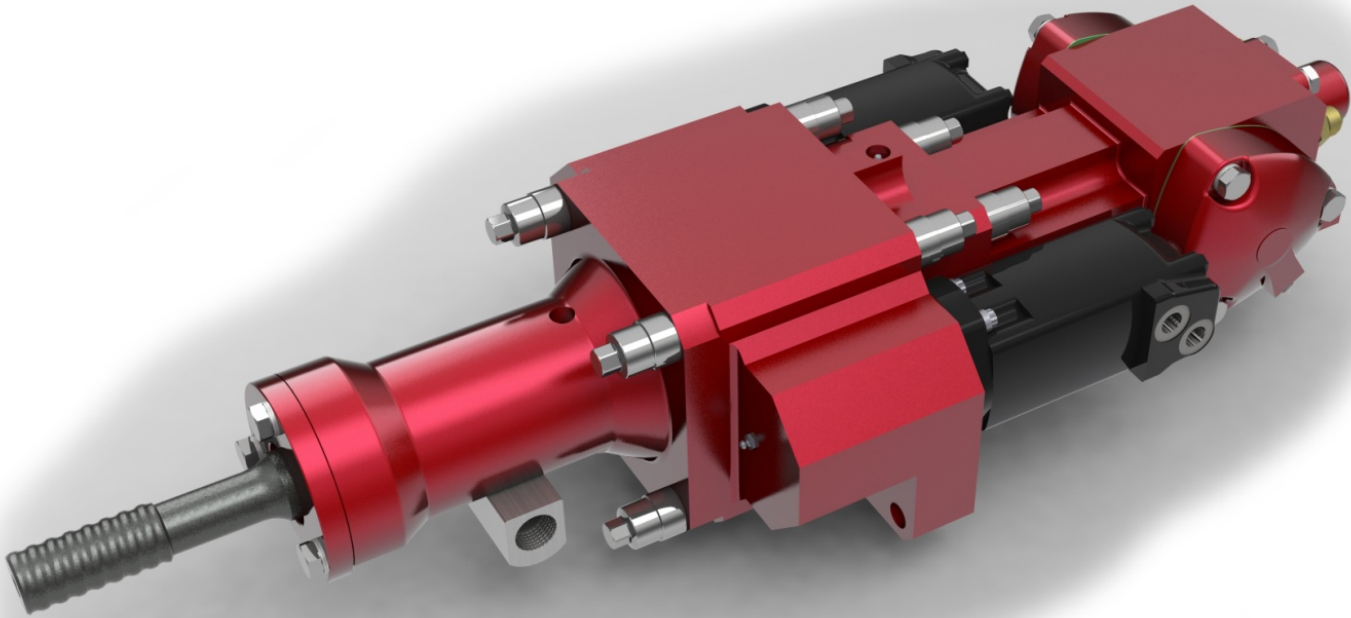




TRAXXON
ROCK DRILLS LTD.

TX590DR



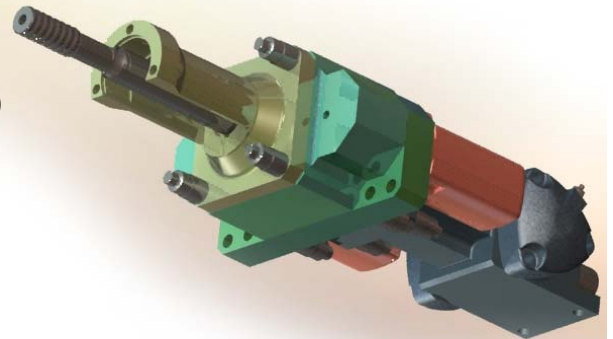
FEATURES / BENEFITS:

- Separate and easily removable flushing swivel allows the use of high pressure air, grout, water and eliminates the possibility of back-flushing contaminants into the hammer body.
- Built in swivel shortens the drill string, as compared to separate drill and swivel designs.
- Sealed and grease lubricated rotation housing.
- Dual and opposed rotation motors for efficient hi-torque operation.



SPECIFICATIONS:

- MODEL: TX590SR
- DRILL ROD DIAMETERS: 30 - 55mm (1.18 - 2.17")
- PERCUSSION OUTPUT POWER: 15.5 kW (21hp)
- MAX ROTATION TORQUE: 3000 Nm (2213 ft-lb)
- SHANK LUBRICATION: GREASE, AIR / OIL
- FLUSHING: AIR / WATER / GROUT
- WEIGHT: 200 kg (442 lb)



TRAXXON.COM
1-800-877-7757